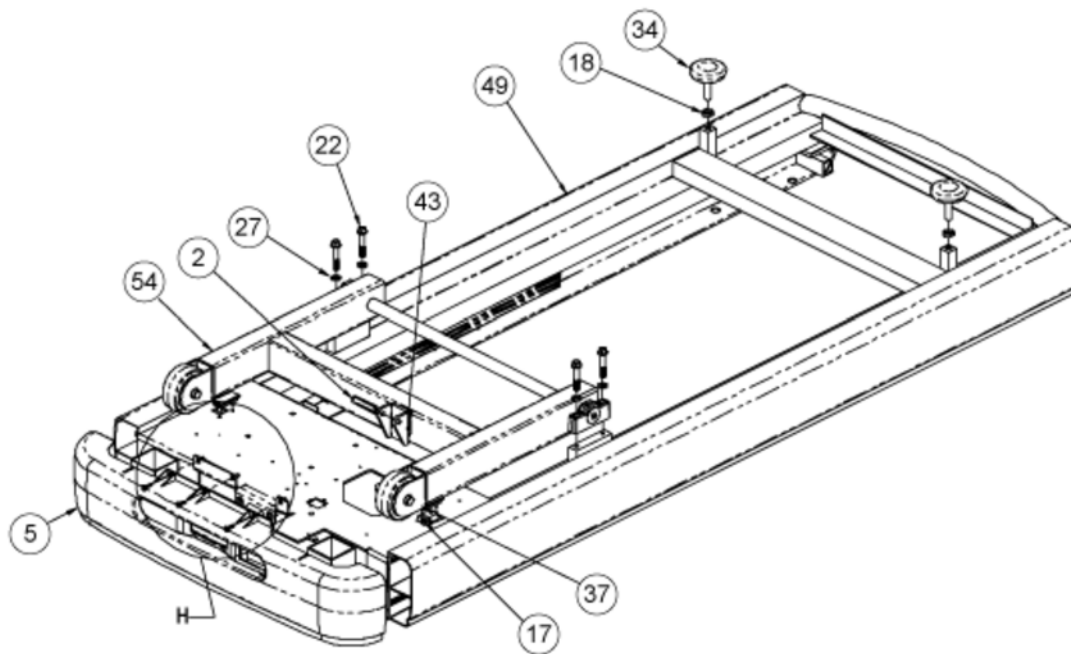


CARDIO • Treadmill • E Series Treadmill • E-TR

Base Frame Assy Bottom



Diagram ID: 715-3736-000-AP-2
Rev: C



SEE DETAIL VIEWS FOR BASE FRAME ASSY

Assembly diagrams show exploded views of parts and products. Some parts not available separately.

Base Frame Assy Bottom

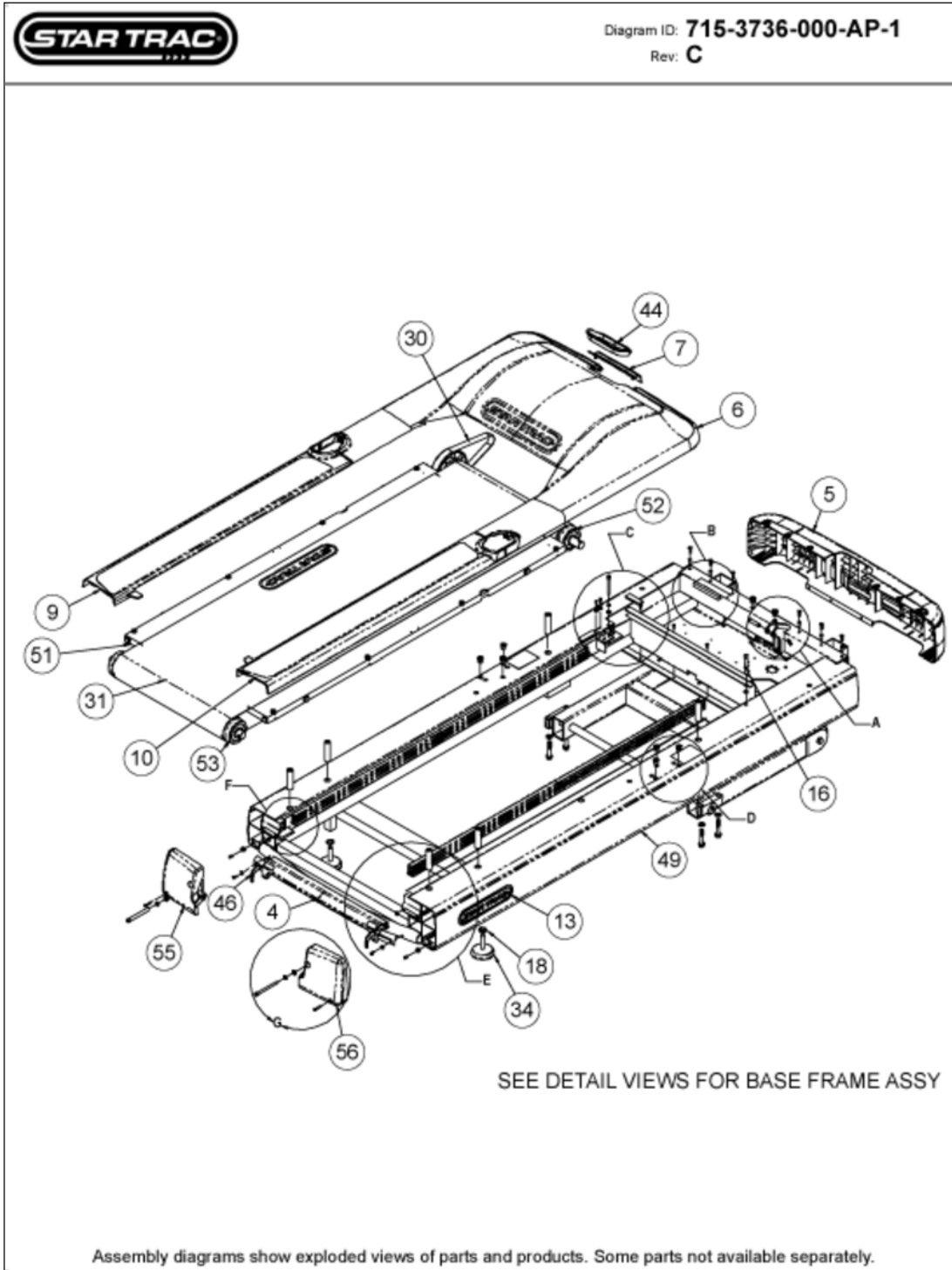
Callout	Part Number:	Description
2	020-6288	PIN, CLEVIS, 3/8 X 2.5
5	020-7234	FRONT CAP, ETR
17	110-1770	*OBSOLETE*
18	110-1823	NUT, 1/2-13X5/16" JAM
22	110-3428	BOLT, 3/8-16X2.25X1HEX, FLANGE
27	120-0460	WASHER, 3/8" LOCK
34	140-3200	ADJUSTABLE FOOT, 1/2-13X3.0"
37	140-3397	BUMP STOP, W/THREADED STUD
43	140-3415	CLIP, CLEVIS PIN, 3/8
49	710-3139	FRAME, PAINTED, ETR SERIES
54	715-3738	ASSY, SUB, ELEVATION, ETR

Parts are subject to availability. Part pricing may change with or without notice.
Check the Star Trac Support Website <http://support.startrac.com> for current part pricing.

October 23, 2009

CARDIO • Treadmill • E Series Treadmill • E-TR

Base Frame Assy Top



Base Frame Assy Top

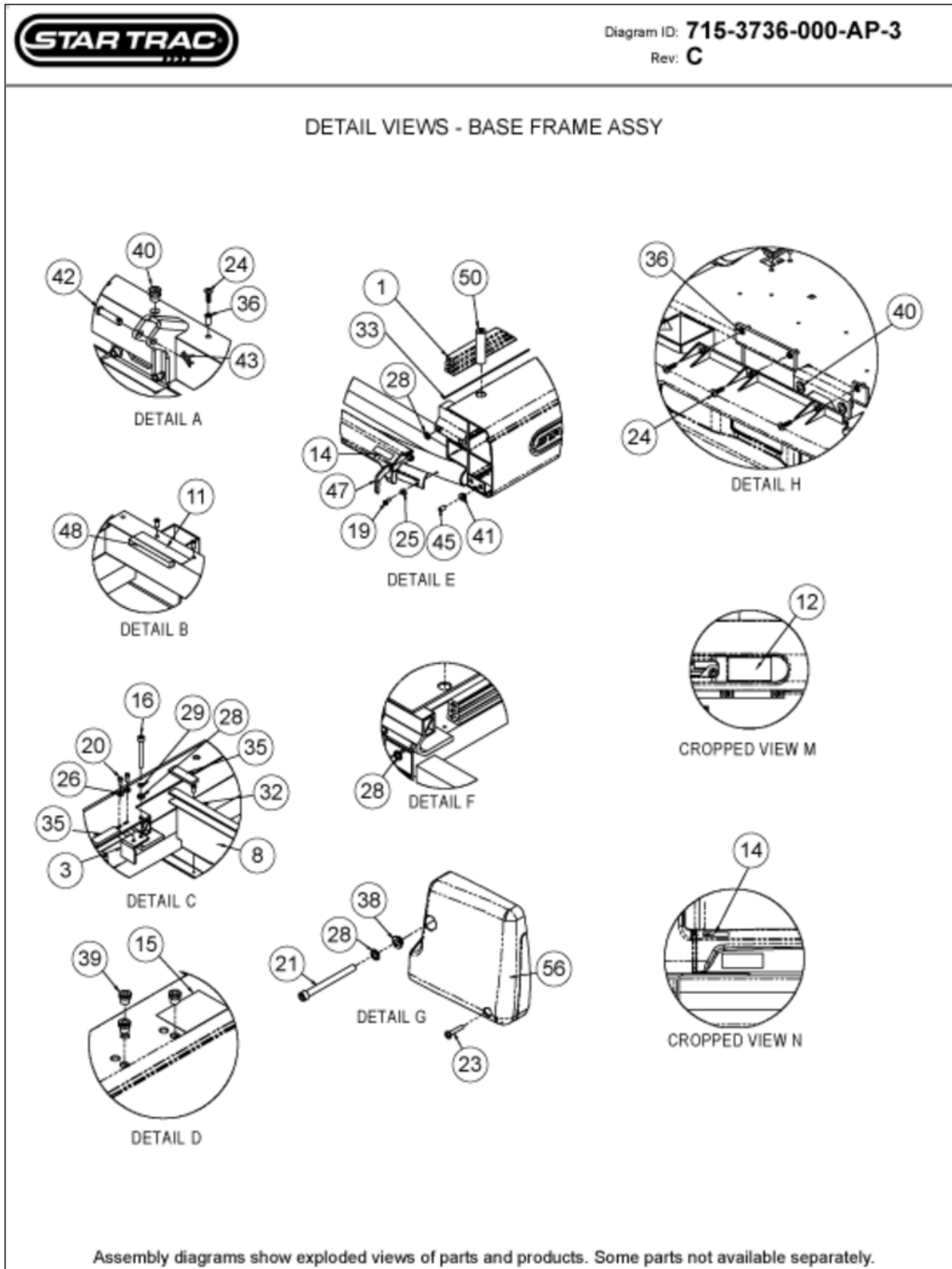
Callout	Part Number:	Description
4	020-7224	COVER, PLASTIC, TAIL, CENTER,
5	020-7234	FRONT CAP, ETR
6	020-7243	SHROUD, MOTOR, ETR
7	020-7253	CAP, MOTOR SHROUD, TR
9	020-7300-01	COVER, SIDERAIL, LEFT
10	020-7300-02	COVER, SIDERAIL, RIGHT
13	050-2153	LABEL, STARTRAC, 246.5MMX58.7
16	110-0675	SCREW, 5/16-18X2.5" SHCS
18	110-1823	NUT, 1/2-13X5/16" JAM
30	130-0120	BELT, DRIVE, 260J10, POLY-V
31	130-1708	BELT, RUNNING, WAXLESS, PRO TR
34	140-3200	ADJUSTABLE FOOT, 1/2-13X3.0"
44	140-3428	GROMMET, NECK, 6X2, TR, OX
46	140-3447-01	SPACER, FOAM, TAIL CAP, LT,E-TR
49	710-3139	FRAME, PAINTED, ETR SERIES
51	800-3984	DECK, DBL-SIDED, WAXLESS, PRO
52	715-3694	ASSY, ROLLER, HEAD, FLAT, 88MM
53	715-3695	ASSY, ROLLER, TAIL, FLAT, 88MM
55	715-3848-01	*ALT* USE PART # 715-3848-01-KT
56	715-3848-02	ASSY, PLASTICS, TAIL CAP, RT,ETR

Parts are subject to availability. Part pricing may change with or without notice.
Check the Star Trac Support Website <http://support.startrac.com> for current part pricing.

October 23, 2009

CARDIO • Treadmill • E Series Treadmill • E-TR

Detail View Base Frame Assy



Detail View

Base Frame Assy

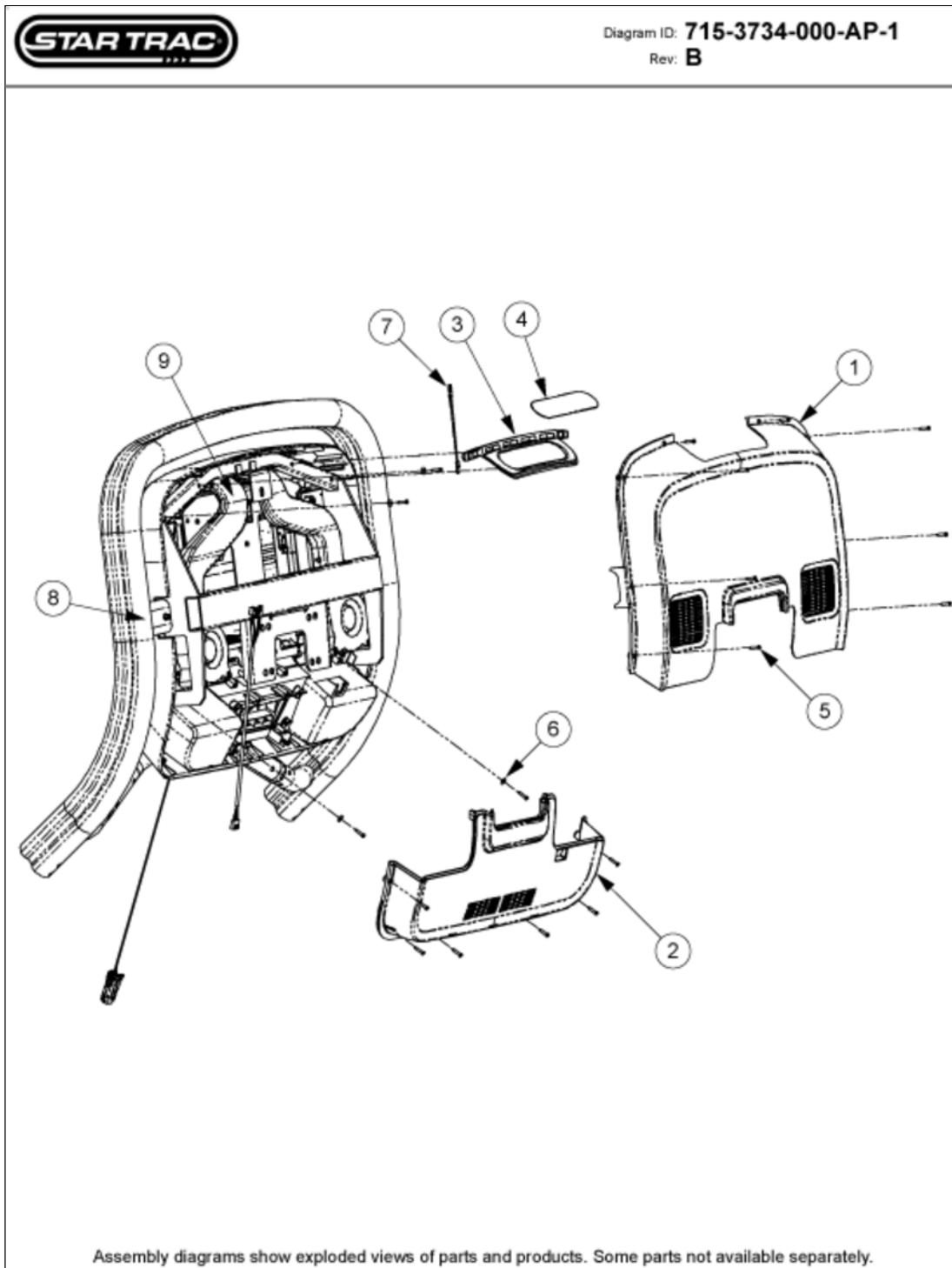
Callout	Part Number:	Description
1	010-3106	DECK RUBBER, 53.5"
3	020-6388	BRKT, DECK STOP
8	020-7143	HANDLE, QUICK RELEASE, TENSION
11	020-7271	SHIELD, DUST, TR
12	020-7276	BRACKET, DECK RETENTION, REAR
14	050-2041	LOGO, STARTRAC, VLAD
15	050-2166	LABEL, DECK DIS-ASSY NOTE
16	110-0675	SCREW, 5/16-18X2.5" SHCS
19	110-3026	SCREW, 10-24X3/4" PHTCS
20	110-3109	SCREW, 10-24X1/2" SHCS
24	110-3450	SCREW, 10-24X3/4", TRUSS HEAD
26	120-0341	WASHER, #10 FLAT SAE
28	110-3450	SCREW, 10-24X3/4", TRUSS HEAD
29	120-0341	WASHER, #10 FLAT SAE
32	120-0496	WASHER, 5/16" LOCK
35	130-1756	BUSHING, FLANGED, BRONZE,
36	140-3340	RIVET NUT, #10-24, 130"-.225"
39	140-3408	RIVET, NUT, #5/16-18, PANEL
40	140-3340	RIVET NUT, #10-24, 130"-.225"
42	140-3411	PIN, CLEVIS, 3/8X1-5/8
43	140-3415	CLIP, CLEVIS PIN, 3/8
46	140-3447-01	SPACER, FOAM, TAIL CAP, LT,E-TR
47	140-3447-02	SPACER, FOAM, TAIL CAP, RT,E-TR
48	140-3456	SPACER, 1/2X7/16, RUBBER
50	715-3196	DELTRIN STOP ROD W/SCREW

Parts are subject to availability. Part pricing may change with or without notice.
Check the Star Trac Support Website <http://support.startrac.com> for current part pricing.

October 23, 2009

CARDIO • Treadmill • E Series Treadmill • E-TR

Display Assy Top Rail E-TR



Display Assy

Top Rail

E-TR

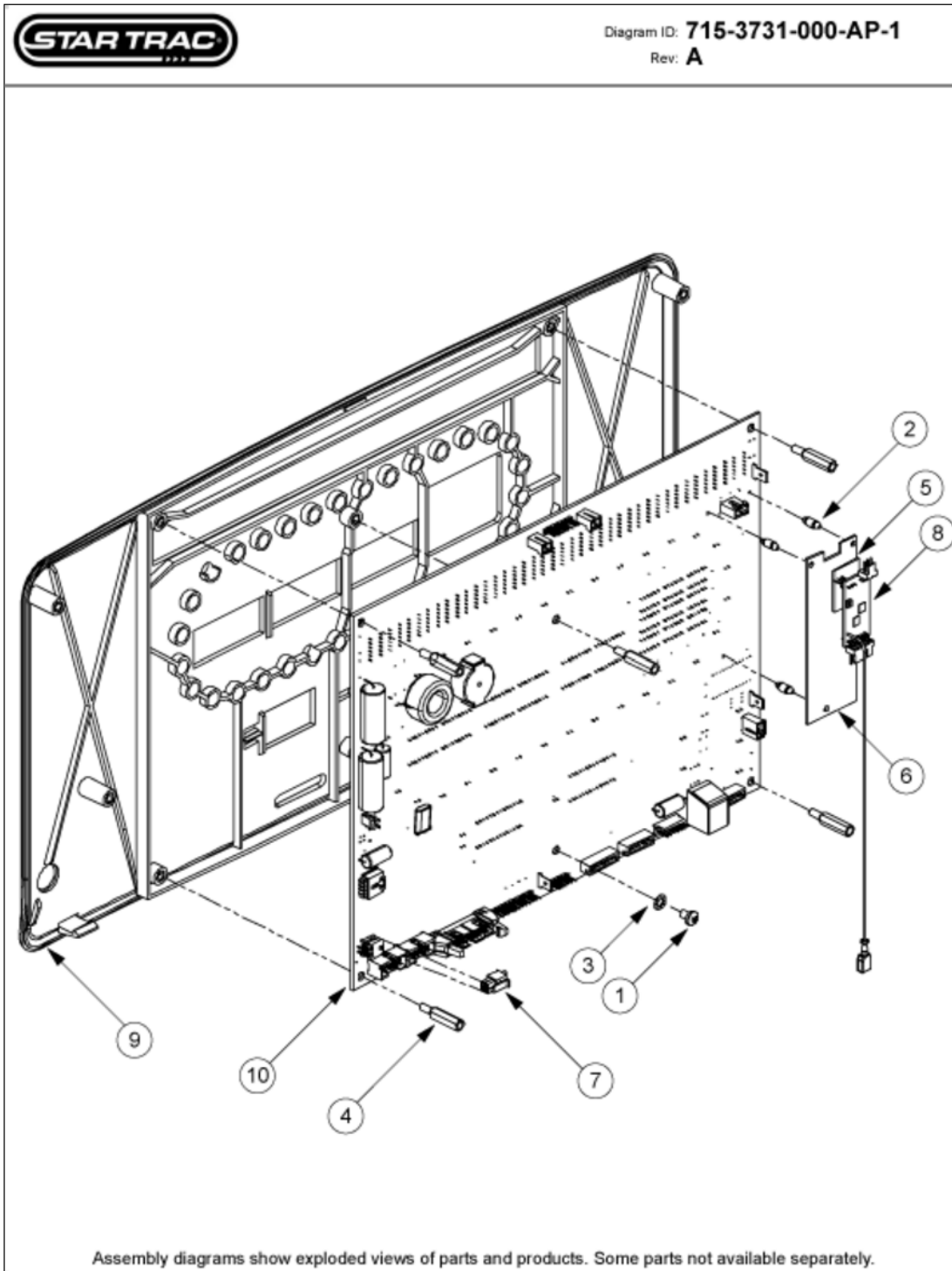
Callout	Part Number:	Description
1	020-7069	REAR, TOP, TR
2	020-7070	REAR, BOTTOM, TR
3	020-7074	CAP, TV BLANK, TR
4	050-2066	LOGO, STARTRAC, VLAD, TR
5	110-3402	SCREW, M4X0.7X19L, PHT, PH, CS
6	120-3307	WASHER, M4, 4.3MMIDX12MMOD
7	715-3676	HARNES, DISP GND STRAP, PRO
8	715-3748	ASSY, FRONT HANDRAIL, E-TR
9	715-3788	ASSY, MAIN CONSOLE, ETR, LED

Parts are subject to availability. Part pricing may change with or without notice.
Check the Star Trac Support Website <http://support.startrac.com> for current part pricing.

October 23, 2009

CARDIO • Treadmill • E Series Treadmill • E-TR

Display Panel & Elec



Slide: 1-1-13-34 • PD ID: 1034 • PROD Link ID: • D ID: 381

October 23, 2009

Display Panel & Elec

Callout	Part Number:	Description
1	110-3407	SCREW, M4X0.7X 6L, PHM, PH, BO
2	120-3244	STANDOFF, 1/8"DIA X 3/16" NYLO
3	120-3258	*OBSOLETE*
4	120-3315	STANDOFF, M/F, M4X.07-21MM L
5	140-0665	DOUBLE SIDED TAPE
6	140-3330	*OBSOLETE*
7	715-3482	JUMPER, STOP SW BYPASS
8	715-3675	PCBA, SALUTRON 4000, VLAD
9	715-3733-KT	KIT, KEYPAD PLASTIC, OX LED
10	715-3845	ASSY, DISP BOAR LED,USB, E-TR

Parts are subject to availability. Part pricing may change with or without notice.
Check the Star Trac Support Website <http://support.startrac.com> for current part pricing.

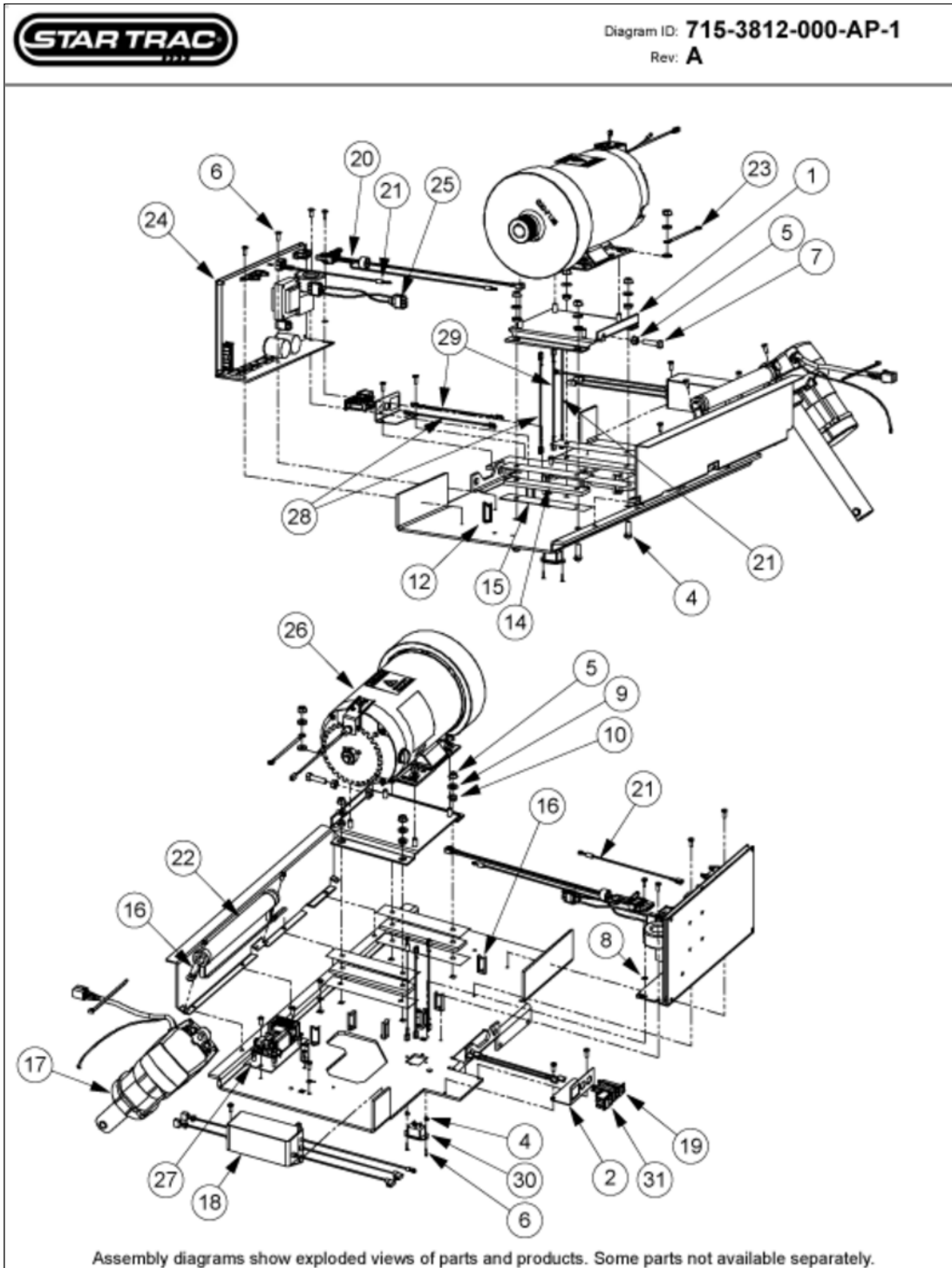
October 23, 2009

CARDIO • Treadmill • E Series Treadmill • E-TR

Electrical Assy

Lower (220V 10A)

E-TR



Electrical Assy

Lower (220V 10A)

E-TR

Callout	Part Number:	Description
1	020-7198	BRACKET, MOTOR BASE, FIXE
2	020-7286	BRACKET, SWITCH/BREAKER,E-TR/E-TRX
3	050-0411	LABEL, GROUND UL/CSA
4	110-1516	BOLT, 5/16-18X1.0" CARRIAGE
5	110-1870	NUT, 5/16-18
6	110-3026	SCREW, 10-24X3/4" PHTCS
7	110-3076	SCREW, 5/16-18X1.25" HHTS
8	120-0220	WASHER, #10 EXT TOOTH
9	120-3023	WASHER, 5/8IDX1.0"
10	120-3264	WASHER, SHOULDER,5/16IDX.15L
11	140-0200	TIE STRAP 5"
12	140-3232	CLAMP, WIRE, SADDLE, 1.0"
13	140-3234	RIVET, SNAP, .161" HOLE
14	140-3268	GASKET, MOTOR PAD,1.2X.25X7.0
15	140-3270	INSULATOR, MOTOR PAD, MYLAR
16	170-0688	BRKT, RESISTOR MOUNT
17	260-0942	MOTOR, GEAR, 220VAC, ELEV W/NUT
18	440-0257	EMI FLTR, 110/220V
19	470-0415	BREAKER, THERMAL, 10A
20	715-3412	CABLE, POWER, EMI-MCB
21	715-3457	CABLE, GROUND WIRE
22	715-3588	ASSY, RESISTOR, 200W, 1K OHM
23	715-3611	BLEEDER ASSY, AC UNITS
24	715-3618	MCB, 220V, AC SYSTEM
25	715-3674	CABLE, POWER SUPPLY, AC-SYSTEM
26	715-3681	ASSY, MOTOR, AC, INDUCTION
27	715-3784-KT	KIT,PWR-SUPPLY 12V/65W, W/BRK
28	715-3801	ASSY, CABLE, NEUTRAL WIRE, E-TRX
29	715-3802	ASSY, CABLE, LINE WIRE, E-TRX
30	740-6093	IEC, CONNECTOR, 220V 10A
31	740-6116	SWITCH, ON/OFF, 110V, 18A

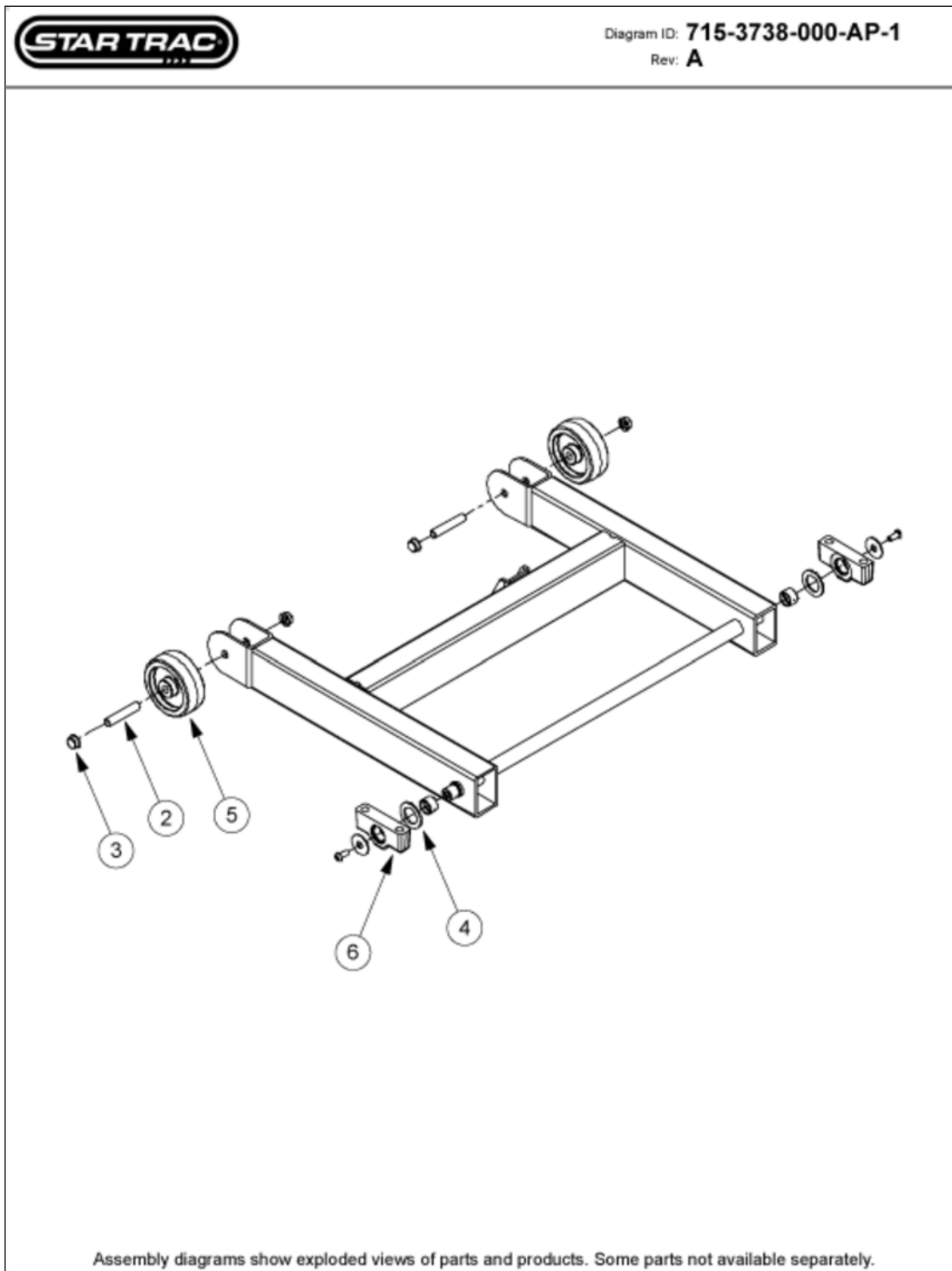
Parts are subject to availability. Part pricing may change with or without notice.
Check the Star Trac Support Website <http://support.startrac.com> for current part pricing.

October 23, 2009

CARDIO • Treadmill • E Series Treadmill • E-TR

Elevation Frame Assy

E-TR



Elevation Frame Assy

E-TR

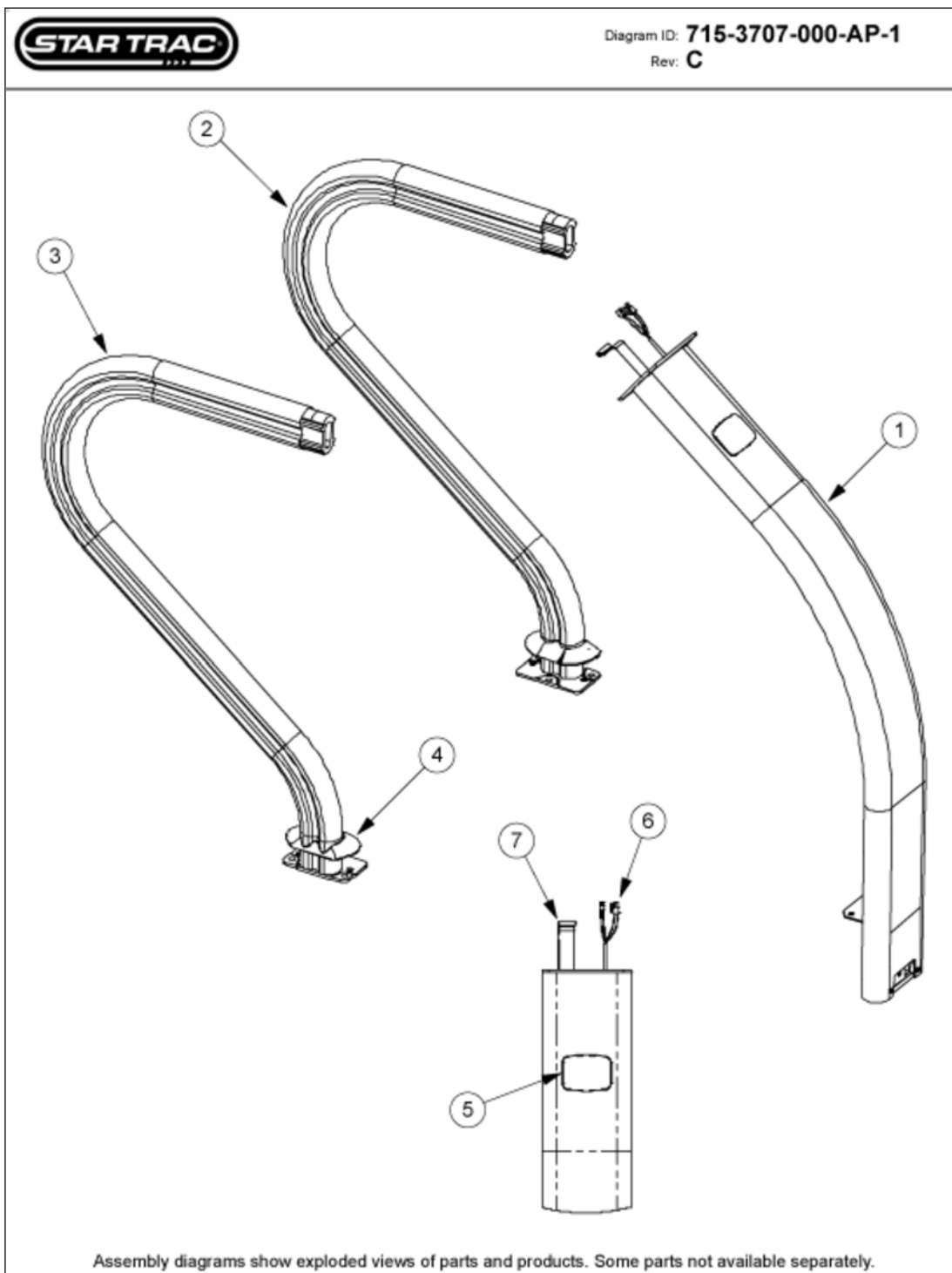
Callout	Part Number:	Description
1	715-3688	ASSY, ELEVATION WELDMENT
2	020-7156	AXLE, ELEVATION, MACH, OX TR
3	110-1415	AXLE PUSH CAP, 1/2"
4	120-3313	WASHER, PLASTIC 1.25X1.75X.125
5	130-1694	WHEEL, 4X1.5X1/2" BORE
6	715-3743	ASSY, PILLOW BLOCK, ELEVATION
7	050-2070	LABEL, SERIAL, TV KIT
8	050-1888	LABEL, PATENT NUMBERS, PRO TR

Parts are subject to availability. Part pricing may change with or without notice.
Check the Star Trac Support Website <http://support.startrac.com> for current part pricing.

October 23, 2009

CARDIO • Treadmill • E Series Treadmill • E-TR

Handrail & Neck E-TR



Handrail & Neck E-TR

Callout	Part Number:	Description
1	020-7035	WELDMENT, FRONT RAIL, ETR
2	020-7179	RAIL, SIDE, LEFT
3	020-7181	RAIL, SIDE, RIGHT
4	020-7233	SEAL, HANDRAIL, ETR
5	050-2083	BADGE, PRODUCT, E-TR
6	715-3678	HARNESS, DC SUPPLY, PRO TR
7	715-3781	TRANSLATOR CABLE

Parts are subject to availability. Part pricing may change with or without notice.
Check the Star Trac Support Website <http://support.startrac.com> for current part pricing.

October 23, 2009

CARDIO • Treadmill • E Series Treadmill • E-TR

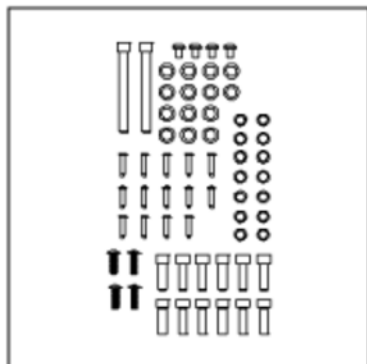
Hardware Kit

E-TRe & E-TRx



Diagram ID: 715-3808-000-AP-1
Rev: A

① Hardware Kit



Assembly diagrams show exploded views of parts and products. Some parts not available separately.

Hardware Kit

E-TRe & E-TRx

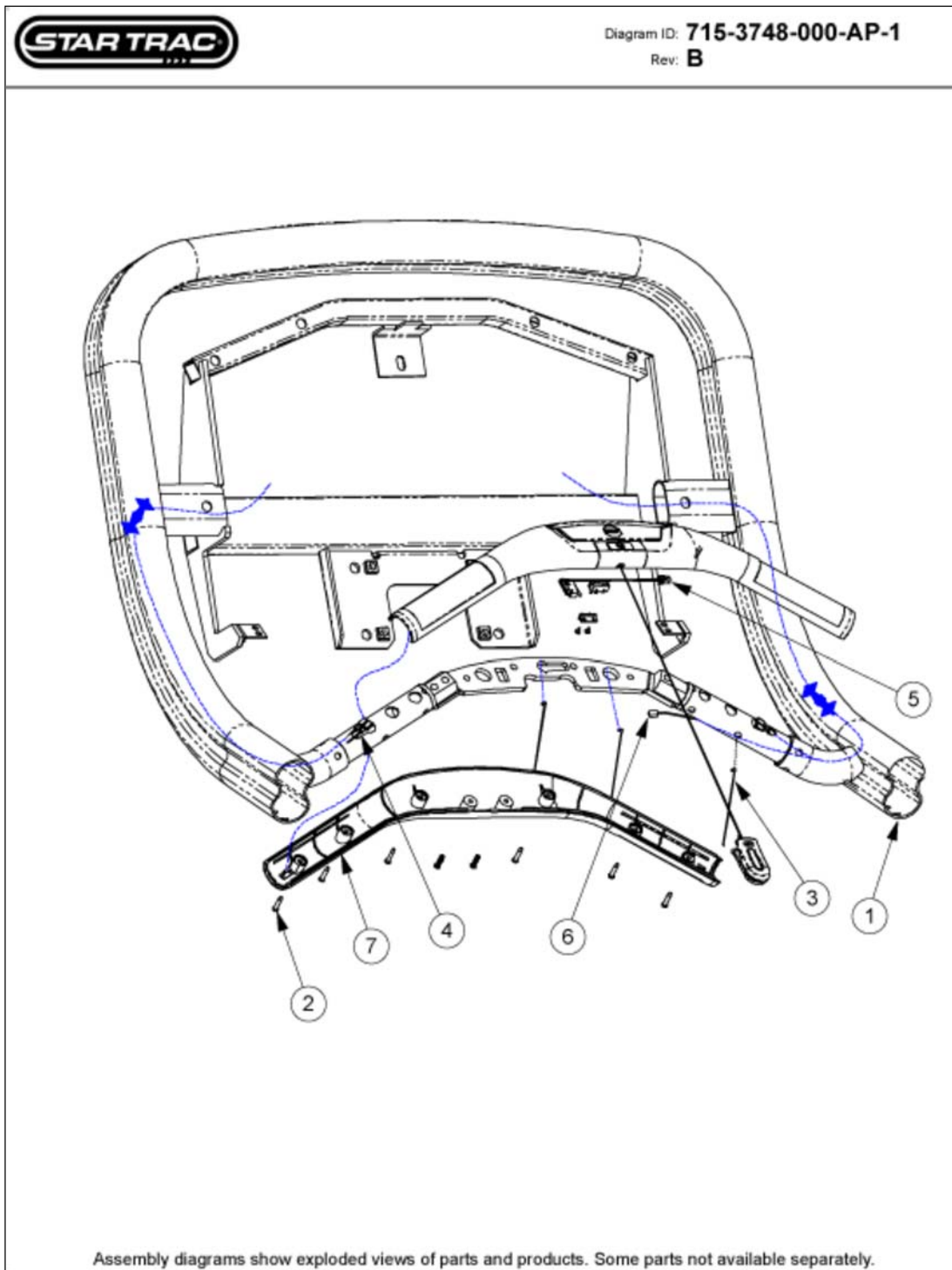
Callout Part Number:	Description
1 715-3808	KIT, TOOLS, INSTALL, E-TRE/X

Parts are subject to availability. Part pricing may change with or without notice.
Check the Star Trac Support Website <http://support.startrac.com> for current part pricing.

October 23, 2009

CARDIO • Treadmill • E Series Treadmill • E-TR

Hotbar Assy



Slide: 1-1-13-34 • PD ID: 1034 • PROD Link ID: • D ID: 388

October 23, 2009

Hotbar Assy

Callout	Part Number:	Description
1	020-7180	WELDMENT, TOP RAIL, ETR
2	110-3402	SCREW, M4X0.7X19L, PHT, PH, CS
3	140-0210	TIE STRAP 3.5"
4	715-3425	SPLITTER, HR GRIP
5	715-3816	CABLE, STOP SW, E-TR, HB
6	715-3817	CABLE, STOP SW, E-TR - DISP
7	740-6186-KT	HOT BAR, ASSY RETRO, S-TR

Parts are subject to availability. Part pricing may change with or without notice.
Check the Star Trac Support Website <http://support.startrac.com> for current part pricing.

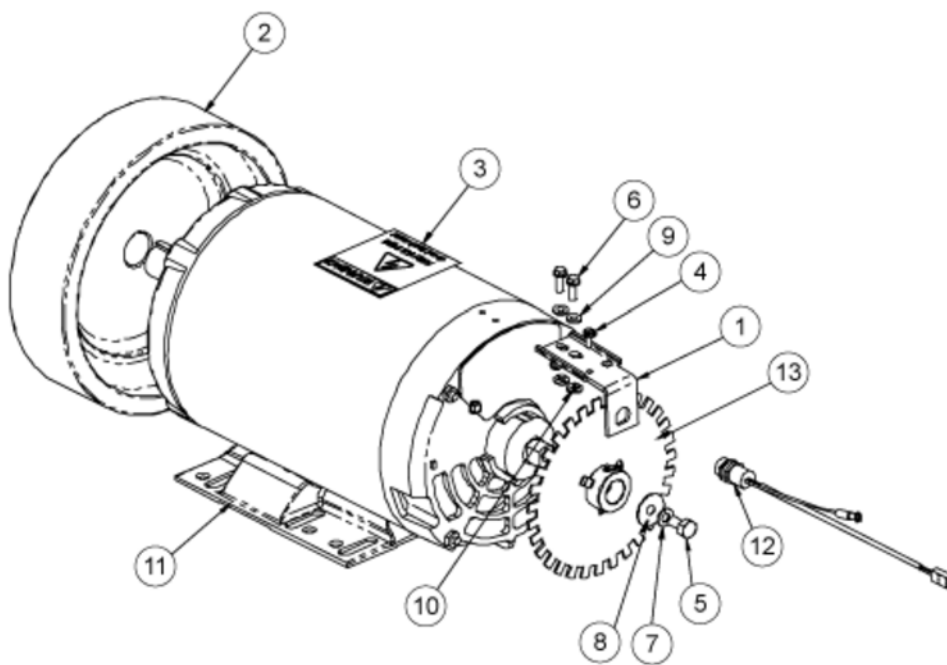
October 23, 2009

CARDIO • Treadmill • E Series Treadmill • E-TR

Motor Assy 220VAC



Diagram ID: 715-3681-000-AP-1
Rev: A



Assembly diagrams show exploded views of parts and products. Some parts not available separately.

Motor Assy 220VAC

Callout	Part Number:	Description
1	020-6563	BRACKET, RPM SENSOR, SUPPORT
2	020-7128	PULLEY, FLYWHEEL, 180J10X.875
3	050-1903	LABEL, WARNING, HIGH VOLTAGE
4	110-0180	*OBSOLETE*
5	110-0580	SCREW, 1/4-20X1/2" HHCS
6	110-3429	SCREW, 8-32X1/2", HHW, TAPTITE
7	120-0420	WASHER, 1/4" LOCK
8	120-0425	WASHER, FLAT, 1/4X7/8ODX.047
9	120-3266	WASHER, #8, SHOULDER, NYLON
10	120-3267	WASHER, #8, RETAINER, NYLON
11	260-0934	MOTOR, DRIVE, 220V 5HP AC
12	560-0069	RPM SENSOR, W/GRND WIRE, AC PT
13	715-3574	RPM DISK, 31 SLOT, AC MOTOR

Parts are subject to availability. Part pricing may change with or without notice.
Check the Star Trac Support Website <http://support.startrac.com> for current part pricing.

October 23, 2009